

Aquaflow



RAINWATER SYSTEMS





THE COMPANY

Kalsi Group manufactures high quality maintenance-free plastic building products at its manufacturing and extrusion plant in Birmingham.

It supplies all markets from new build to refurbishment.

An extensive range of rainwater, underground, soil and waste systems and PVC-UE cellular foam building products are produced to British Standards and above using the latest machinery and tooling. The company also holds ISO 9001:2008 Quality Management System and BBA accreditation is achieved.

All Kalsi Group products are easily available from a network of stockists throughout the UK and Ireland.

A dedicated and flexible delivery fleet guarantees every item arrives on time and in pristine condition

– catering for all customers, from the single stockist to multi-branch operations.

Our highly efficient telephone sales department is friendly and responsive. All are extensively trained and can provide assistance and advice on all Kalsi Group products.

Ongoing commitment to product innovation and support is at the core of the Group's philosophy as it strives to continually meet and exceed customer expectations.

APPLICATION

Kalsi Aquaflow Rainwater Systems are designed for the conveyance of water in all new build, RMI (Repair Maintenance Improvement) and industrial situations.

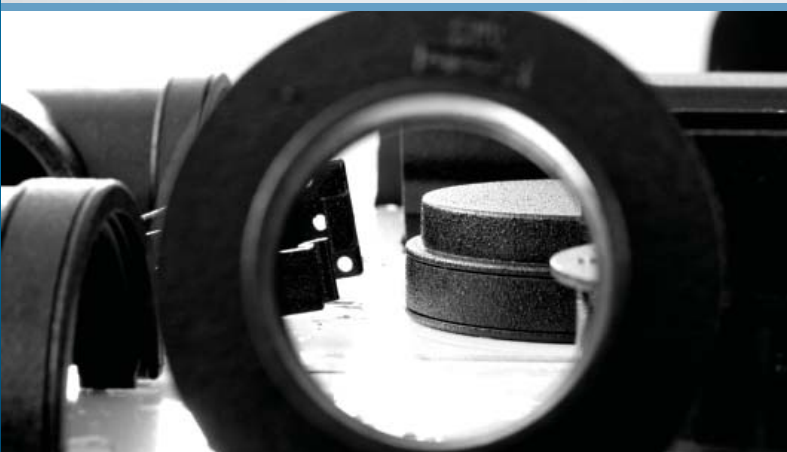
COMPOSITIONS

All products are manufactured from unplasticised polyvinyl chloride (PVCu) and comply with the material requirements of either BS EN 12200-1:2000, BS EN 607:2004 or BS EN 1462:2004 as relevant.

Rainwater gutters and pipes are manufactured by a continuous extrusion process. Fittings are produced on high-pressure injection moulding machines. All fittings are manufactured to close tolerances allowing accurate incorporation of design features.

COLOURS

Aquaflow products are offered in a range of colours including Kast effect. Please reference our product guide for further information.

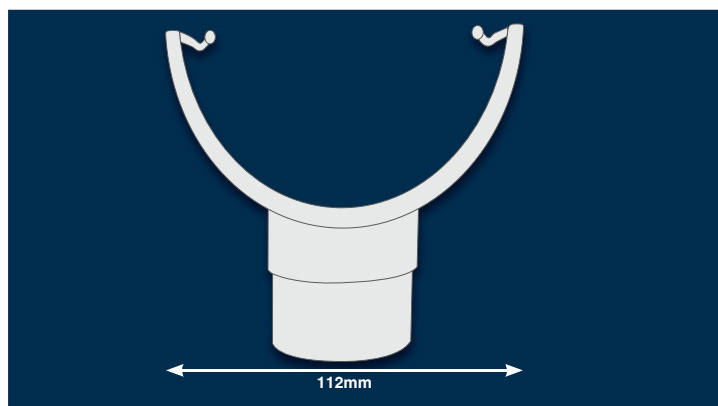


Following substantial investment in product development and new tooling the majority of Kalsi rainwater gutter profiles are now co-extruded with colour coded interiors.

WHY CO-EXTRUDE?

The process allows finished products to retain a high gloss finish, its has greater weathering performance and has a more consistent match to the fittings.

HALF ROUND

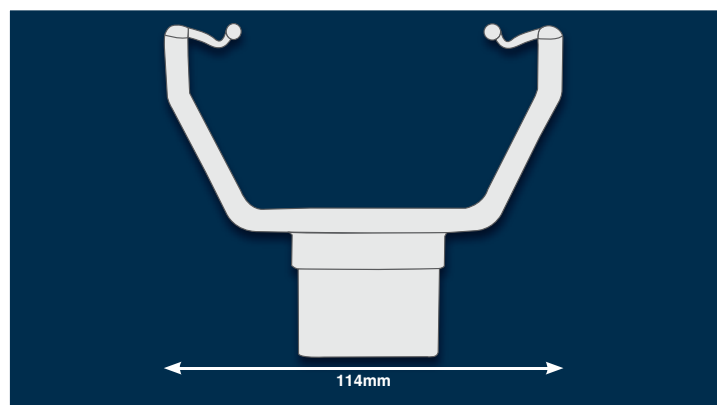


- Traditional half round profile
- Good flow capacity
- High quality finish
- Round to square adaptors for easy connection to adjoining houses
- Suits all types of homes, conservatories and extensions

Available in Black, Brown, White and Grey



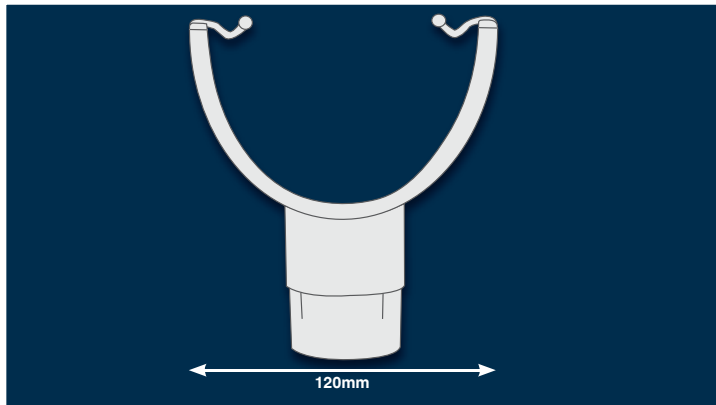
SQUARE



- Attractive square profile
- High flow capacity
- High quality finish
- Square to round adaptors for easy connection to adjoining houses
- Suits all types of homes, conservatories and extensions

Available in Black, Brown, White and Light Oak

DEEP HIGH CAPACITY

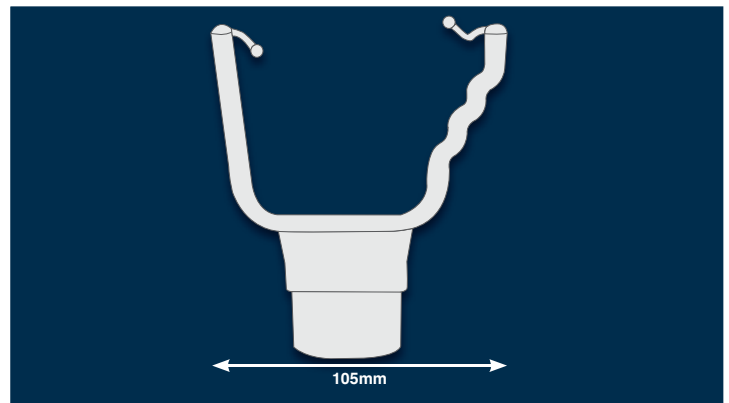


- Attractive semi-elliptical profile
- High flow capacity – ideal for large roof areas
- High quality finish
- Due to greater flow capacity, less outlets and drainage runs required

Available in Black, Brown, White and Grey



OGEE HIGH CAPACITY

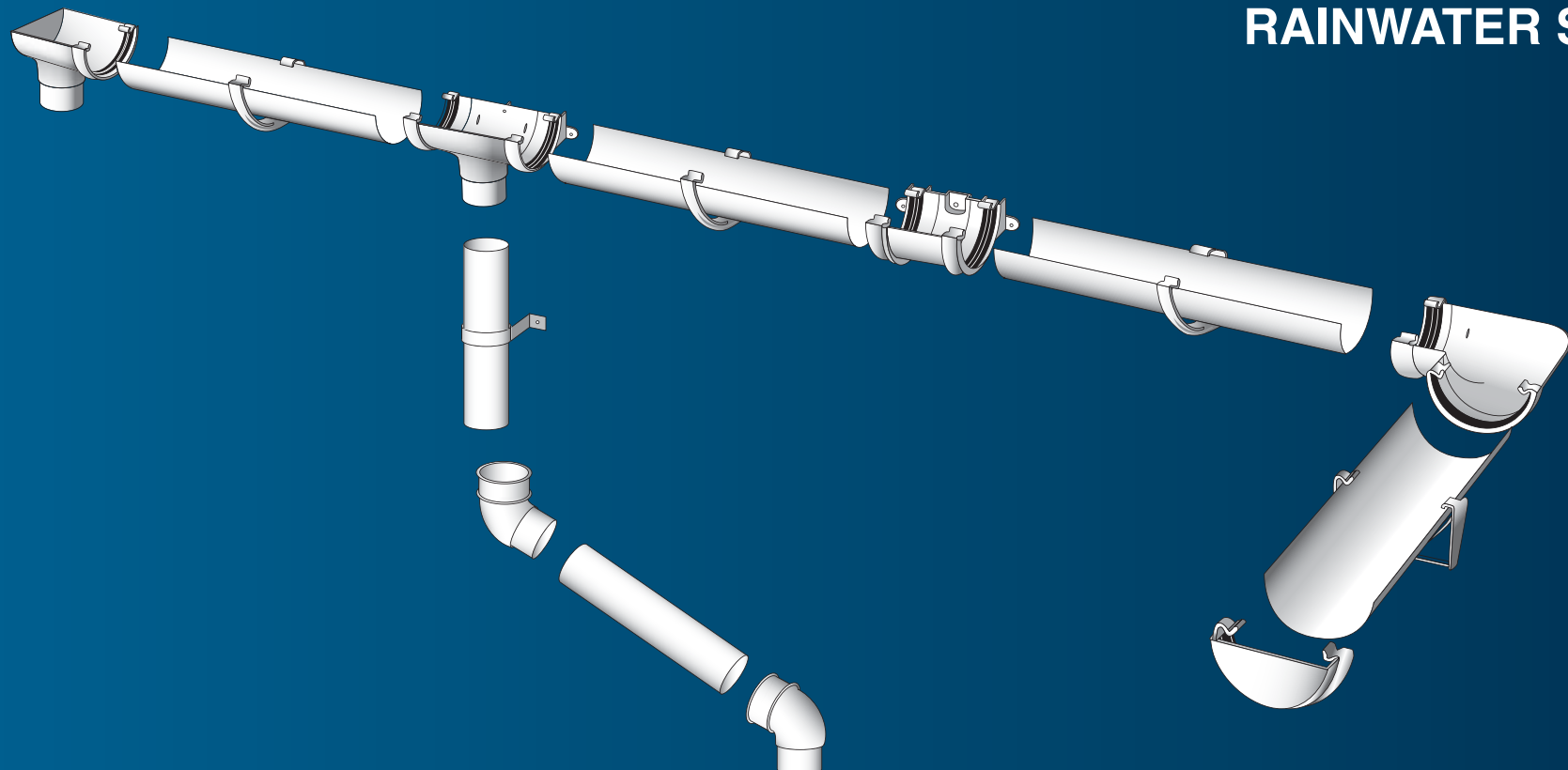




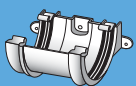

- Attractive, traditional Ogee profile
- High flow capacity – ideal for larger roof areas
- High quality finish
- Internal/external angles and right/left hand stopends available
- Both square and round down pipes can be connected

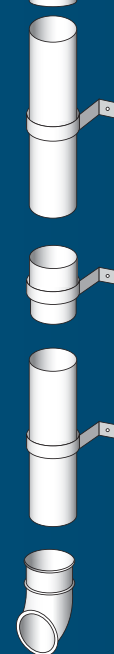
Available in Black, Brown and White

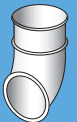

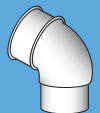

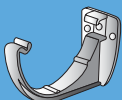



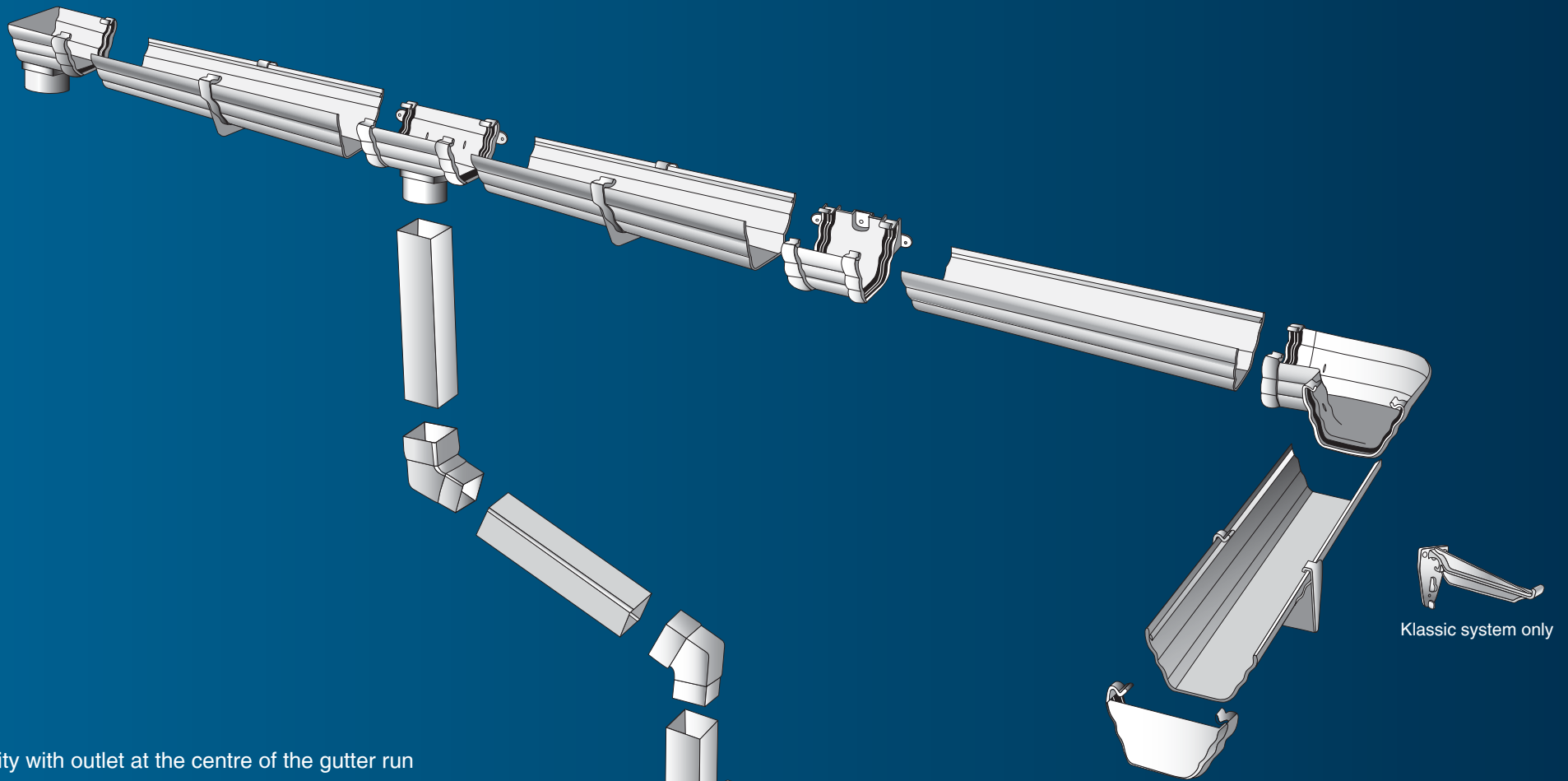
RAINWATER SYSTEMS



					
	Stop End	Running Outlet	Union	90° Angle Bend	Stop End External
Half Round	AO2	AO1	AU1	AA1	AE1
Square	AOS2	AOS1	AUS1	AAS1	AES1
Deep High Capacity	N/A	AOD1	AUD1	AAD1	AED1
Ogee High Capacity	N/A	AOO1	AUO1	AAO1 INT	AEO1 LEFT
				AAO2 EXT	AEO2 RIGHT
Klassic Ogee	N/A	AOKO1	AUKO1	AAKO1 INT	AEKO1 LEFT
				AAK02 EXT	AEK02 RIGHT
Krown Ogee	N/A	AOKR1	AUKR1	AAKR1	AEKR1
Kommercial System	N/A	AO16	AU16	AA16	AE16
Kalsi Kast Half Round	AO2KI	AOIK1	AU1KI	AA1KI	AE1KI
Kalsi Kast Krown Ogee	N/A	AOKR1KI	AUKR1KI	AAKR1KI	AEKR1KI



					
Shoe	Pipe Clip	Offset 92.5°	Offset 112.5°	Fascia Bracket	Top Hung Fascia Bracket
AB3	AC1	AB1	AB2	AK1	
ABS3	ACS1	ABS1	ABS2	AKS1	
AB3	AC1	AB1	AB2	AKD1	
ABS3	ACS1	ABS1	ABS2	AKO1	
ABS3	ACS1	ABS1	ABS2	AKKO1	AKKO2
ABS3	ACS1	ABS1	ABS2	AKKR1	
SPB135	SPCD	SPB92.5DS	SPB135	AK16	
AB3KI	ACIK1	ABIK1	AB2KI	AK1KI	
ABS3KI	ACS1KI	ABS1KI	ABS2KI	AKKR1KI	



Gutter flow capacity with outlet at the centre of the gutter run

System	Gutter Level	1:600 Gradient
Half Round	1.90 Litres/Sec	2.43 Litres/Sec
Square	2.20 Litres/Sec	3.03 Litres/Sec
Ogee	3.90 Litres/Sec	4.76 Litres/Sec
Deep	3.77 Litres/Sec	4.60 Litres/Sec
Kommercial	4.60 Litres/Sec	6.467 Litres/Sec

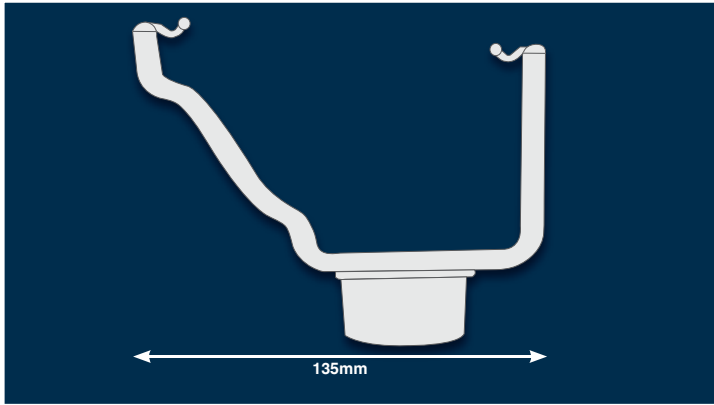
Gutter flow capacity with outlet at the end of the gutter run

System	Gutter Level	1:600 Gradient
Half Round	0.95 Litres/Sec	1.21 Litres/Sec
Square	1.10 Litres/Sec	1.55 Litres/Sec
Ogee	1.92 Litres/Sec	2.36 Litres/Sec
Deep	1.87 Litres/Sec	2.29 Litres/Sec
Kommercial	2.30 Litres/Sec	3.23 Litres/Sec

Rainwater Compatibility Chart

Manufacturer	112mm Half Round	Square Line	Krown Ogee
Brett Martin	✓	✗	✗
FlowPlast	✓	✓	✗
Freeflow	✓	✓	✗
Gerberit Terrain	✗	✗	✗
Hepworth	✓	✓	✗
Hunter	✓	✓	✓
Marley	✓	✗	✗
Marshall Tufflex	✓	✓	✗
Osma (Wavin)	✓	✗	✗
Polypipe	✓	✓	✗

KLASSIC OGEE

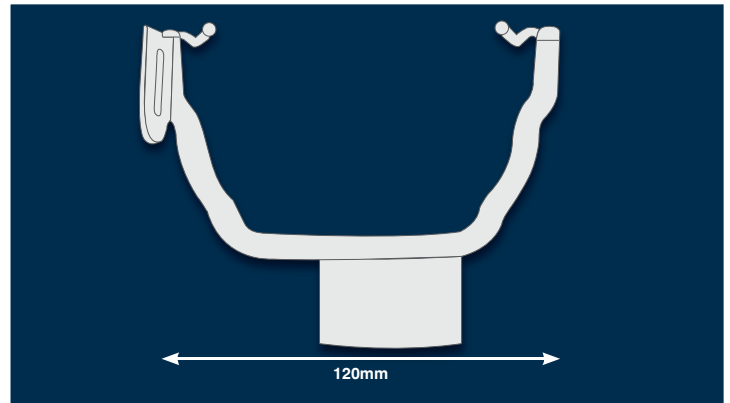


- Attractive Klasic Ogee profile
- High quality finish
- Suits all types of homes, conservatories and extensions
- Internal/external angles and right/left hand stopends available
- Both square and round down pipes can be connected

Available in Black, Brown, White and Light Oak



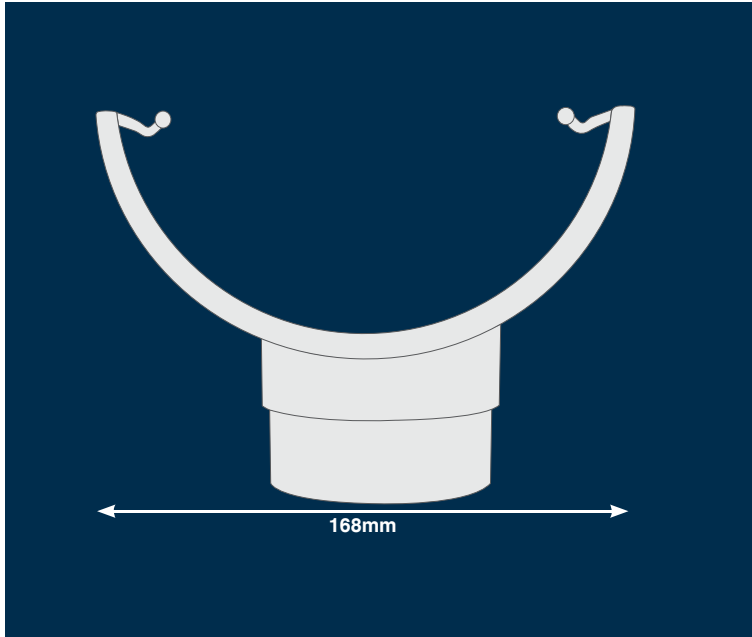
KROWN OGEE



- Attractive Krown Ogee profile
- High flow capacity
- High quality finish
- No need for left or right hand stopends
- No need for internal or external angles

Available in Black, Brown, White and Light Oak

KOMMERCIAL SYSTEM

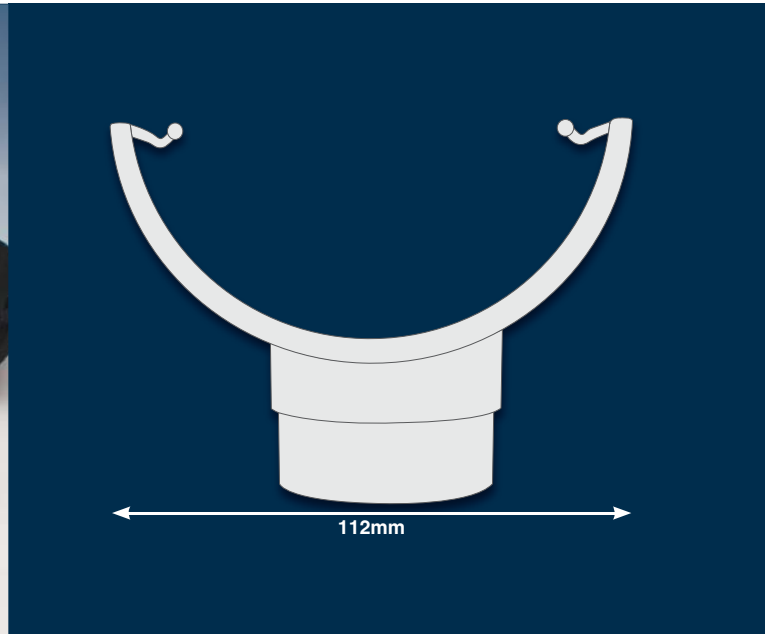


- 150mm half round profile/110mm pipe and fittings
- High flow capacity

- High quality finish
- Due to greater flow capacity, ideal for large industrial agricultural commercial buildings

Available in Black and Grey

KALSI KAST HALF ROUND



- Traditional half round profile
- Kast effect finish
- Ideal for new build, refurbishments of log cabins, workshops etc.

Available in Black as standard

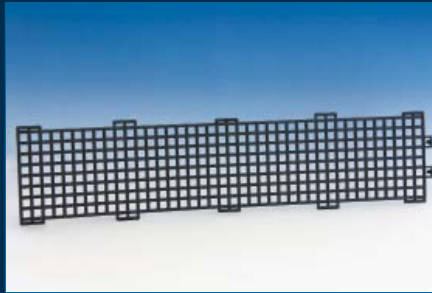
KALSI KAST OGEE



- Attractive Ogee profile
- Double sided Ogee - No left or right stop ends or internal/external angles
- Ideal for all applications

Available in Black as standard

ANCILLARY PRODUCTS

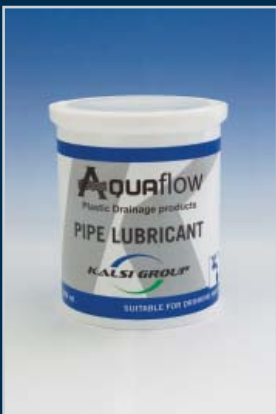


Universal Eaves Protector and Gutter Guard

Giving added protection from the elements behind the guttering installation

Gutter Guard GGUA

- 5m pack - 5 pieces



**1lt Soluble Lubricant
KPSL1000**



PVC Cement - 125ml



PVC Cement - 250ml

STANDARDS

Kalsi Aquaflow Rainwater systems are manufactured under the following British Standards:

BS EN ISO 9001: 2008 – Quality Systems

BS 4576: Part 1: 1990 – Specification for Unplasticised PVC Rainwater systems

BS 4514: 1983 – Specification for Unplasticised PVC soil and ventilating pipe fittings and accessories

ACCREDITATIONS

All of our profiles are manufactured to BS EN 607:2004 (Gutters and fittings) BS EN 12200-1:2000 and BSEN 1329-1:2000 (Downpipes and fittings) BS EN 1462:2004 (Gutter brackets) within a quality management system assessed and registered by British Standards as meeting the requirements of BSEN ISO 9001:2008 (Certificate Number FM:588944).

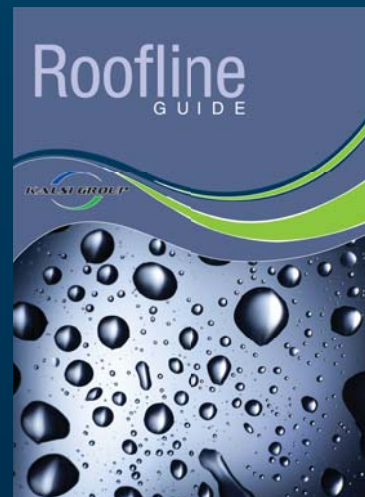
FITTING INSTALLATION INSTRUCTIONS

For detailed instructions for installation please refer to our technical information from our download menu or give us a call for our latest brochure.



AQUACEL ROOFLINE PVC-UE

Also available Kalsi Aquacel Roofline PVC-UE fascia soffit angles and trims. Brochure available on request.





ISO: 9001/2008

